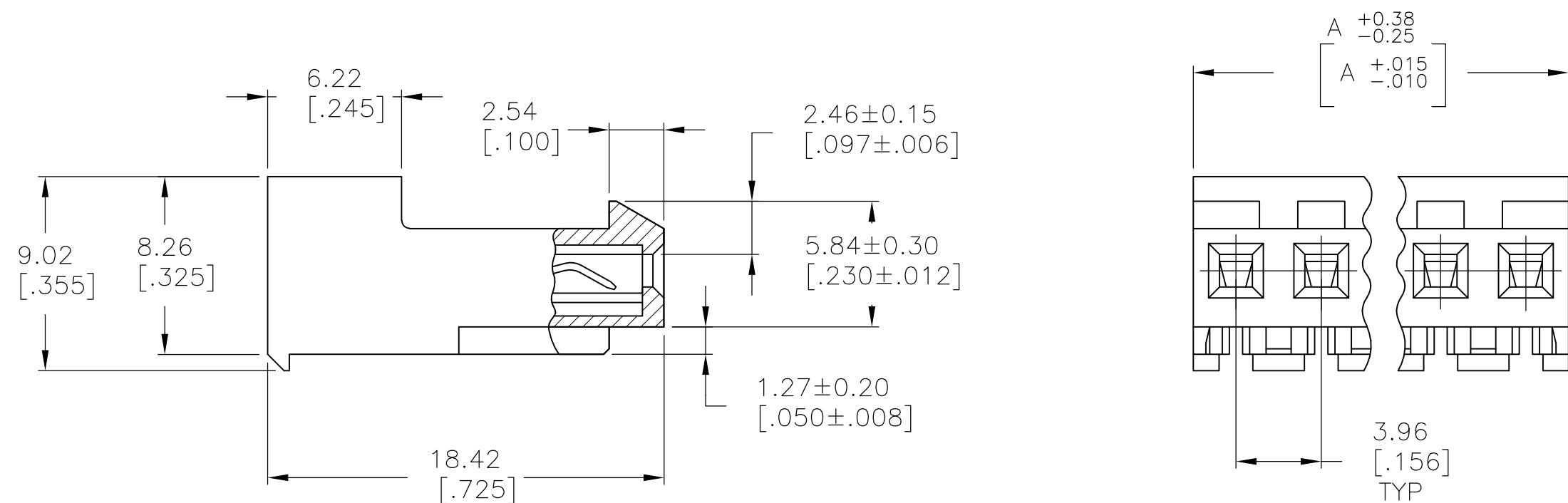
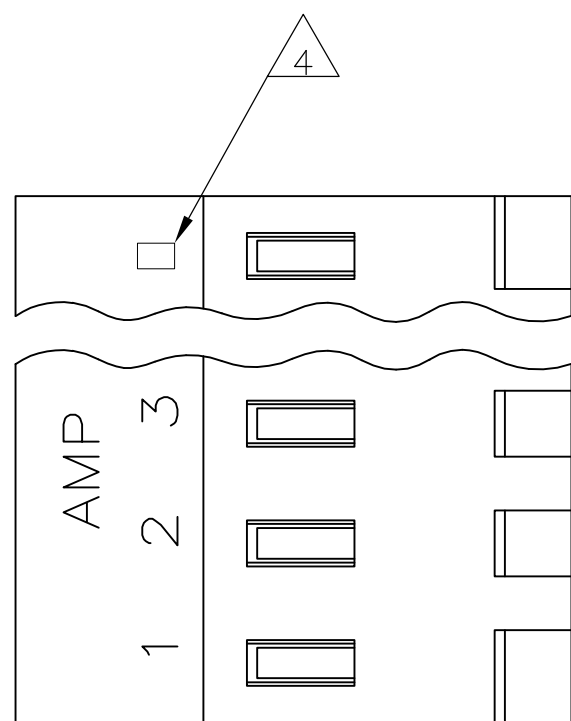


THIS DRAWING IS UNPUBLISHED. RELEASED FOR PUBLICATION
 © COPYRIGHT BY TYCO ELECTRONICS CORPORATION. ALL RIGHTS RESERVED.

LOC	DIST	REVISIONS					
CM	00	P	LTR	DESCRIPTION	DATE	DWN	APVD
		J		ECO-07-012876	15JUN07	KW	DB



95.10	[3.744]	24	5-641221-4
91.14	[3.588]	23	5-641221-3
87.17	[3.432]	22	5-641221-2
83.21	[3.276]	21	5-641221-1
79.25	[3.120]	20	5-641221-0
75.29	[2.964]	19	4-641221-9
71.32	[2.808]	18	4-641221-8
67.36	[2.652]	17	4-641221-7
63.40	[2.496]	16	4-641221-6
59.44	[2.340]	15	4-641221-5
55.47	[2.184]	14	4-641221-4
51.51	[2.028]	13	4-641221-3
47.55	[1.872]	12	4-641221-2
43.59	[1.716]	11	4-641221-1
39.62	[1.560]	10	4-641221-0
35.66	[1.404]	9	3-641221-9
31.70	[1.248]	8	3-641221-8
27.74	[1.092]	7	3-641221-7
23.77	[.936]	6	3-641221-6
19.81	[.780]	5	3-641221-5
15.85	[.624]	4	3-641221-4
11.89	[.468]	3	3-641221-3
7.92	[.312]	2	3-641221-2
95.10	[3.744]	24	2-641221-4
91.14	[3.588]	23	2-641221-3
87.17	[3.432]	22	2-641221-2
83.21	[3.276]	21	2-641221-1
79.25	[3.120]	20	2-641221-0
75.29	[2.964]	19	1-641221-9
71.32	[2.808]	18	1-641221-8
67.36	[2.652]	17	1-641221-7
63.40	[2.496]	16	1-641221-6
59.44	[2.340]	15	1-641221-5
55.47	[2.184]	14	1-641221-4
51.51	[2.028]	13	1-641221-3
47.55	[1.872]	12	1-641221-2
43.59	[1.716]	11	1-641221-1
39.62	[1.560]	10	1-641221-0
35.66	[1.404]	9	641221-9
31.70	[1.248]	8	641221-8
27.74	[1.092]	7	641221-7
23.77	[.936]	6	641221-6
19.81	[.780]	5	641221-5
15.85	[.624]	4	641221-4
11.89	[.468]	3	641221-3
7.92	[.312]	2	641221-2
DIM A		NO OF CIRCUITS	PART NO

1 MATERIAL: CONNECTOR - NYLON UL94V-2 (BLUE).
 CONTACTS - 0.30[.012] THICK COPPER ALLOY
 0.00076 [.000030] GOLD IN CONTACT
 AREA WITH BRIGHT TIN-LEAD FOR
 641221-2 THRU 2-641221-4,
 MATTE WHISKER MITIGATED TIN FOR
 3-641221-2 THRU 5-641221-4 OVER
 NICKEL UNDERPLATE

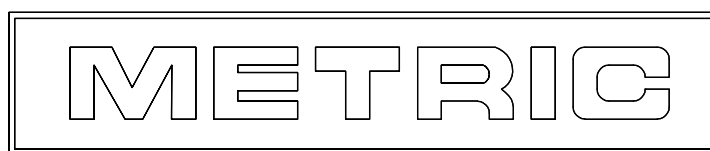
2. CONTACTS ACCEPT 26 AWG WIRE WITH 2.41[.095] MAX INSULATION DIAMETER.

3. CONTACTS MUST ACCEPT 1.14±0.03 [.045±.001] SQUARE POST AND REMAIN LOCKED IN POSITION.

4 IDENTIFICATION NUMBER FOR LAST CIRCUIT MAY NOT APPEAR ON ALL ASSEMBLIES.

5. DIMENSIONS IN BRACKETS ARE IN INCHES.

6. HOUSING FEATURES ARE: CLOSED END WITH LOCKING RAMP.



THIS DRAWING IS A CONTROLLED DOCUMENT.		DWN B. LEWIS 11 MAR 96	Tyco Electronics Corporation Harrisburg, Pa 17105-3608	
DIMENSIONS: mm [INCHES]		CHK R. SWING 11 MAR 96	Tyco Electronics Corporation	
TOLERANCES UNLESS OTHERWISE SPECIFIED:		APVD D. CLARK 11 MAR 96	NAME MTA-156 CONNECTOR ASSEMBLY, 26 AWG, STANDARD	
0 PLC ± - 1 PLC ± - 2 PLC ± - 3 PLC ± - 4 PLC ± - ANGLES ± -		PRODUCT SPEC 108-1051	SIZE A2	CAGE CODE 00779
MATERIAL 1		FINISH 1	DRAWING NO C=641221	RESTRICTED TO -
CUSTOMER DRAWING		WEIGHT -	SCALE 4:1	SHEET 1 OF 1
		REV J		